

## QME-EU Wireless Self-Powered Doorbell Product Specification V1.0

### Modify Record

Serial number	Version	Date	Modify Content
1	V1.0	2021-1-8	Initial Version

## 1、 Product Description

### 1. Product introduction

The self-powered wireless doorbell does not require a battery and has a built-in energy harvesting module, which can convert the mechanical energy of pressing into electrical energy, and the electrical energy drives the circuit to work. The doorbell communication method is wireless radio frequency, no wiring is required for installation, the ring volume is adjustable and there are multiple music tracks to choose from. The doorbell has a power-off memory function. After power-off, the doorbell can memorize the last set music track and ring volume.

### 2. Product picture

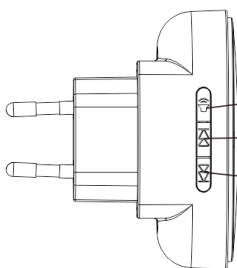


Transmitter

Receiver

## 2、 Product Features

### 1. Description of receiver buttons



**Volume key:** Each time you press this key, the volume will switch between levels 1-4.

**Selection key +:** Each time you press this key, the music will switch to the previous song.

**Selection key -:** Each time you press this key, the music will switch to the next song.

## 2. How to pair transmitter and receiver

### (1) Single transmitter pairing

Press and hold the song selection button on the doorbell receiver for about 3 seconds, until the indicator light on the doorbell receiver flashes slowly (1 time per second), then release the button, press the doorbell transmitter once, and the receiver indicator light is off, indicating pairing success. After switching the ringtone on the receiver, the ringtone of the transmitter will be updated accordingly.

### (2) Multiple transmitters paired ( $\geq 2$ )

After switching to the desired ringtone, press and hold the music selection button on the doorbell receiver for about 3 seconds, until the indicator light on the doorbell receiver flashes slowly (1 flash per second), then release the button and press the doorbell transmitter once, The receiver indicator turns off, indicating that the pairing is successful. Repeat the above steps to pair other transmitters to realize different ringtones for different transmitters. If you need to change the ringtone of the paired transmitter, you need to repeat the above pairing steps after switching to the desired ringtone. Note: When multiple transmitters are paired, the volume of all ringing is the same. After switching the ringing volume, the corresponding ringing volume of all transmitters will be changed uniformly.

## 3. Silent mode

When the volume is lowest, it defaults to silent mode.

## 4. How to clear pairing information

Press and hold the song selection button for about 10 seconds until the indicator light changes from flashing to steady on, and finally turns off. After turning off, release the button. At this time, the pairing information of the doorbell receiver is cleared.

It needs to be paired with the doorbell transmitter that needs to be paired again.

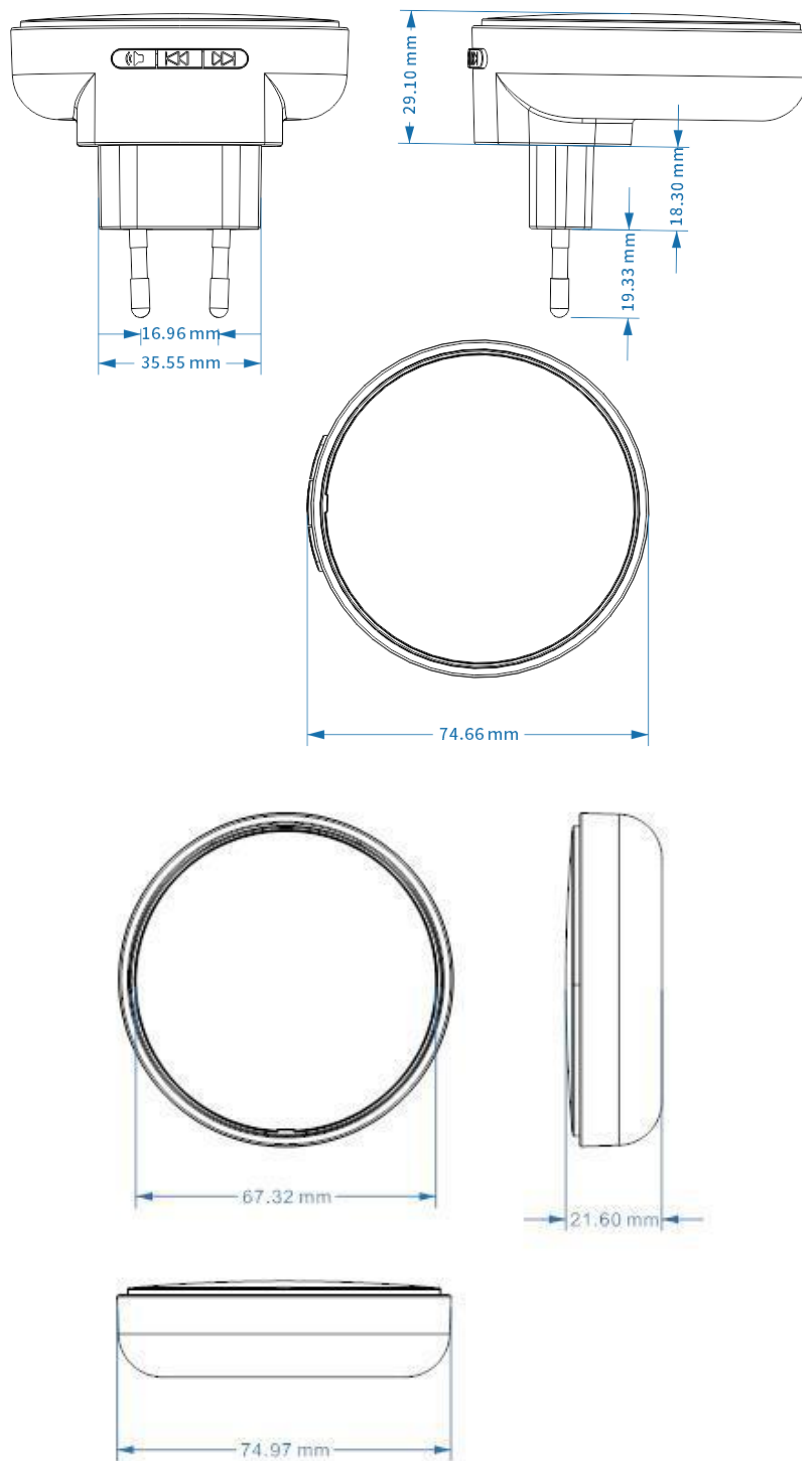
## 5. Power off memory

Power on after power off, the doorbell can memorize the last set music track and ring volume.

### 3、Specifications

Parameter	Project
Operating voltage	AC100V-240V 50/60Hz
Power supply	Self-powered
Way of communication	RF 433MHz
Modulation	FSK
Volume level	4 levels adjustable volume
Ringtone	40 songs optional
Storage capacity	The receiver can be paired with up to 10 transmitters
Communication distance	Outdoors: 100m Indoors: 40m Two walls indoors: 25m
Standby power	< 0.5W
Standby power receiver plug specifications	European standard
Operating temperature	-20°C~ +55°C
Colour	white

### 4、Product Size



Unit: mm